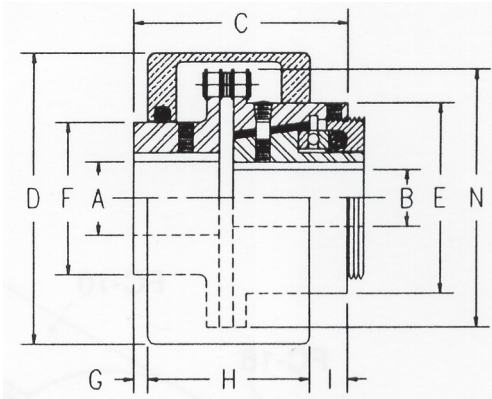


Model FC Flexible Coupling Clutches



The Flaton Model FC is an adjustable clutch with a built in flexible shaft coupling assembly.

It is used in applications which require flexibility, in addition to torque control, for protection against overload.

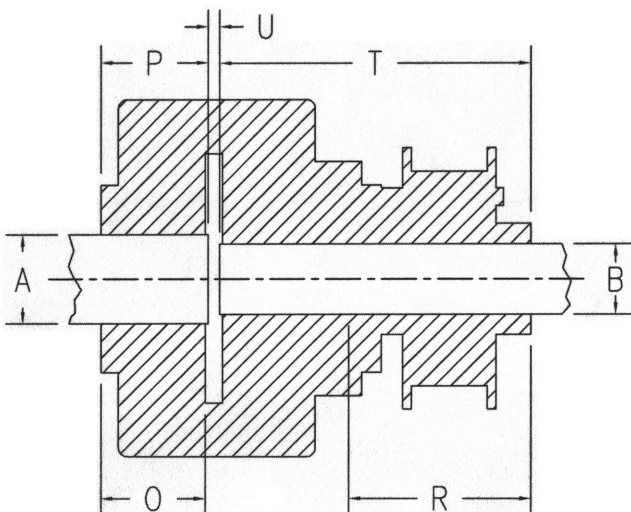
Dimensions

| Model Number | A | B | C | D | E | F | G | H | I | N | Max. Bore Keyway | |
|--------------|-------|---------|---------|---------|---------|-------|--------|--------|---------|--------|------------------|-----------|
| | | | | | | | | | | | A | B |
| 10-FC | 1 | 3/4 | 2 53/64 | 3 13/16 | 2 9/16 | 2 | 3/16 | 2 1/8 | 1/2 | 3 3/8 | 1/4x1/8 | 3/16x3/32 |
| 15-FC | 1 1/4 | 1 1/8 | 3 23/32 | 5 1/8 | 3 9/16 | 2 1/2 | 5/16 | 2 5/8 | 3/4 | 4 5/8 | 1/4x1/8 | 1/4x1/8 |
| 20-FC | 1 1/2 | 1 1/4 | 4 19/32 | 6 | 4 | 3 | 7/16 | 3 3/16 | 1 | 5 1/2 | 3/8x3/16 | 1/4x1/8 |
| 25-FC | 1 3/4 | 1 3/8 | 5 1/8 | 6 3/4 | 4 11/16 | 3 3/8 | 7/16 | 3 5/8 | 1 1/16 | 6 1/4 | 3/8x3/16 | 5/16x5/32 |
| 30-FC | 2 1/2 | 1 15/16 | 6 11/16 | 8 5/8 | 6 | 4 3/8 | 11/16 | 4 1/2 | 1 1/2 | 7 7/8 | 5/8x5/16 | 1/2x1/4 |
| 35-FC | 3 1/4 | 2 5/8 | 7 13/16 | 10 | 7 1/4 | 5 3/4 | 1 1/16 | 4 7/8 | 1 15/16 | 9 1/4 | 3/4x3/8 | 5/8x5/16 |
| 40-FC | 4 1/2 | 3 5/8 | 10 1/16 | 13 | 9 1/2 | 7 3/4 | 1 5/16 | 6 1/4 | 2 1/2 | 11 7/8 | 1x1/2 | 7/8x5/16 |
| 45-FC | 5 1/4 | 4 1/4 | 12 7/8 | 16 3/4 | 12 | 9 1/4 | 1 3/4 | 7 9/16 | 3 9/16 | 15 1/4 | 1 1/4x5/8 | 1x3/8 |

All dimensions are in inches.

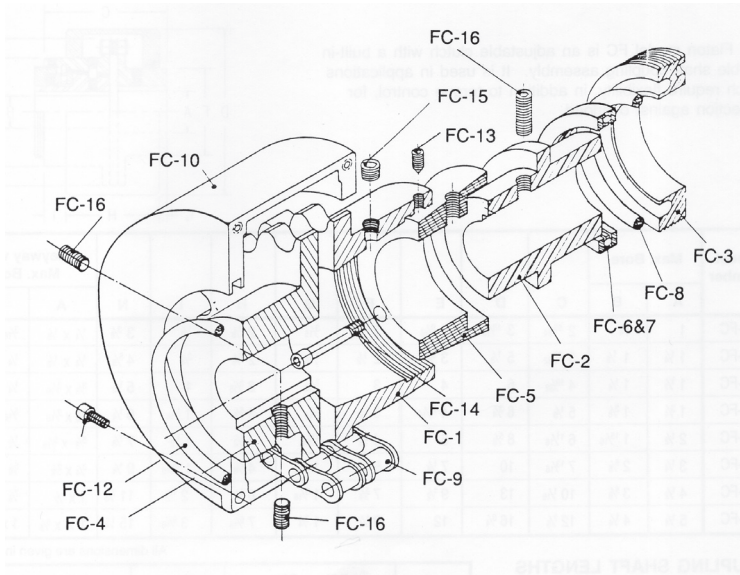
Coupling Shaft Lengths

When considering shaft extensions both shafts must be greater than the minimum and less than the maximum on both the "A" and "B" sides.



| Model Number | A Bore Side | | Gap | B Bore Side | |
|--------------|-------------|---------|------|-------------|---------|
| | O Min. | P Max. | U | R Min. | T Max. |
| 10-FC | 1 1/8 | 1 3/16 | 1/8 | 1 7/16 | 1 9/16 |
| 15-FC | 1 1/2 | 1 9/16 | 1/8 | 1 15/16 | 2 |
| 20-FC | 1 3/4 | 1 7/8 | 1/8 | 2 1/2 | 2 5/8 |
| 25-FC | 2 | 2 1/8 | 3/16 | 2 11/16 | 3 13/16 |
| 30-FC | 2 1/2 | 2 11/16 | 3/16 | 3 5/8 | 3 13/16 |
| 35-FC | 3 | 3 3/16 | 1/4 | 4 1/4 | 4 7/16 |
| 40-FC | 4 | 4 3/16 | 5/16 | 5 3/8 | 5 9/16 |
| 45-FC | 5 | 5 1/4 | 5/16 | 7 | 7 5/16 |

Parts List



- 1 Housing
- 2 Thrust Head
- 3 Adjustment nut
- 4 Driven sprocket
- 5 Friction cone
- 6 & 7 Thrust bearing assembly
- 8 Pressure ring
- 9 Chain and link
- 10 Cover (Cover is an optional purchase part.)
- 12 Driven sprocket cover seal
- 13 Conepoint setscrew
- 14 Capscrews-4 (For size 40 and 45 only.)
- 15 Pipe plug
- 16 Setscrews-4

When requesting parts or additional information, please reference the clutch size. For the thrust head, #2, reference "B" bore and keyway size. For the driven sprocket, #4, reference "A" bore and keyway size.