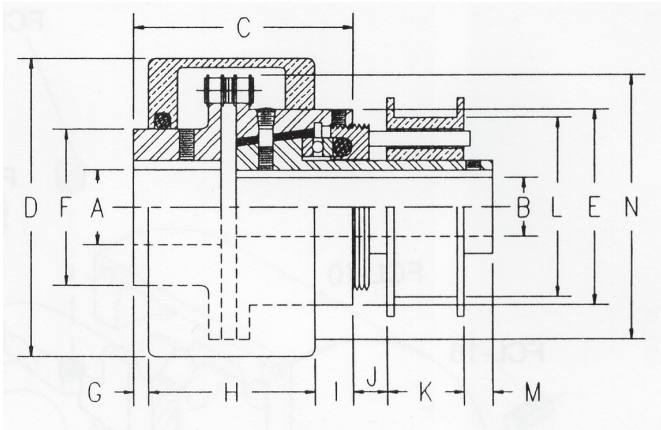


Model FCL Flexible Coupling Clutches with Shut-off



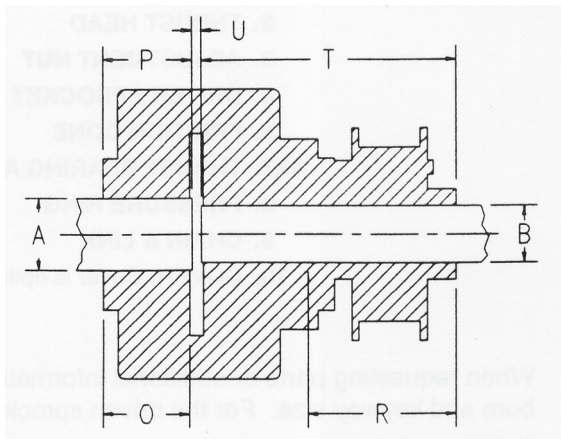
The Flaton Model FCL is a chain coupling style clutch with a built-in mechanical shut off spool. This shut-off spool allows for superior torque control when interfaced with a device such as a limit switch.

Dimensions

Model Number	Max. Bore		C	D	E	F	G	H	I	J	K	L	M	N	Max. Bore Keyway	
	A	B													A	B
10-FCL	1	3/4	4 5/8	3 13/16	2 9/16	2	3/16	2 1/8	1/2	7/16	1	2 1/2	3/8	3 3/8	1/4x1/8	3/16x1/16
15-FCL	1 1/4	1 1/8	5 3/4	5 1/8	3 9/16	2 3/4	5/16	2 5/8	3/4	1/2	1	3	7/16	4 5/8	1/4x1/8	1/4x3/32
20-FCL	1 1/2	1 1/4	6 5/8	6	4	3	7/16	3 3/16	1	1/2	1	3 1/4	1/2	5 1/2	3/8x3/16	1/4x3/32
25-FCL	1 3/4	1 3/8	7 5/8	6 3/4	4 11/16	3 3/8	7/16	3 5/8	1 1/16	11/16	1 1/4	3 1/2	5/8	6 1/4	3/8x3/16	5/16x1/8
30-FCL	2 1/2	1 15/16	9 3/16	8 5/8	6	4 3/8	11/16	4 1/2	1 1/2	5/8	1 1/4	4 1/2	5/8	7 7/8	5/8x5/16	1/2x3/16
35-FCL	3 1/4	2 5/8	10 1/2	10	7 1/4	5 3/4	1 1/16	4 7/8	1 15/16	3/4	1 1/4	5 1/4	5/8	9 1/4	3/4x3/8	5/8x7/32
40-FCL	4 1/2	3 5/8	13 1/4	13	9 1/2	7 3/4	1 5/16	6 1/4	2 1/2	1	1 3/8	7	3/4	11 7/8	1x1/2	7/8x5/16
45-FCL	5 1/4	4 1/4	16 7/8	16 3/4	12	9 1/4	1 3/4	7 9/16	7 9/16	1 3/8	1 3/8	8 3/4	1 1/4	15 1/4	1 1/4x5/8	1x3/8

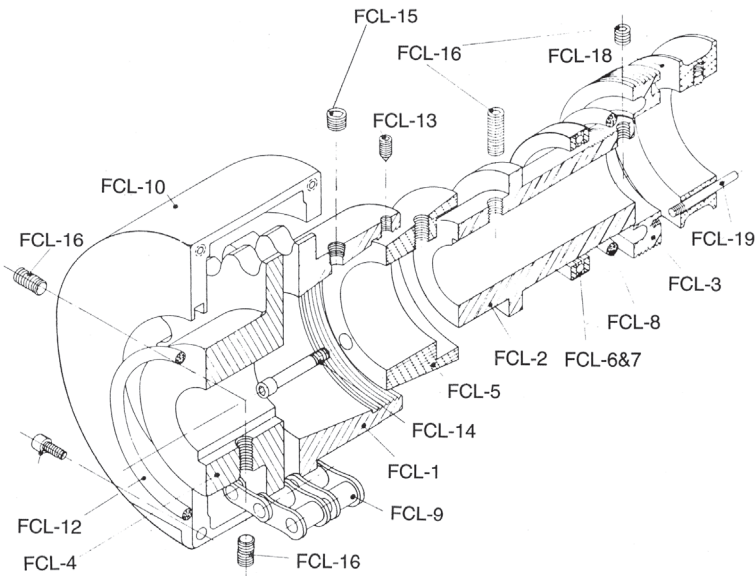
All dimensions are in inches.

When considering shaft extensions both shafts must be greater than the minimum and less than the maximum on both the "A" and "B" sides.



Model Number	A Bore Side		Gap U	B Bore Side	
	O Min.	P Max.		R Min.	T Max.
10-FCL	1 1/8	1 3/16	1/8	1 7/16	3 3/8
15-FCL	1 1/2	1 9/16	1/8	1 15/16	4 1/16
20-FCL	1 3/4	1 7/8	1/8	2 1/2	4 5/8
25-FCL	2	2 1/8	3/16	2 11/16	5 5/16
30-FCL	2 1/2	2 11/16	3/16	3 5/8	6 5/16
35-FCL	3	3 3/16	1/4	4 1/4	7 1/16
40-FCL	4	4 3/16	5/16	5 3/8	8 3/4
45-FCL	5	5 1/4	5/16	7	11 5/16

Parts List



- | | |
|-------|--------------------------------------|
| 1 | Housing |
| 2 | Thrust head |
| 3 | Adjustment nut |
| 4 | Driven sprocket |
| 5 | Friction cone |
| 6 & 7 | Thrust bearing assembly |
| 8 | Pressure ring |
| 9 | Chain and link |
| 10 | Cover (Optional purchase part) |
| 12 | Driven sprocket cover seal |
| 13 | Conepoint setscrew |
| 14 | Capscrews-4 (On size 40 and 45 only) |
| 15 | Pipe plug |
| 16 | Setscrews-6 |
| 18 | Shut-off spool assembly |
| 19 | Stop pin |

When requesting parts or additional information, please reference the clutch size. For the thrust head, #2, reference "B" bore and keyway size. For the driven sprocket, #4, reference "A" bore and keyway size.